

Step up to the tough and dependable RoofPro 455XP Coil Nailer. It's loaded with the features you asked for, yet is light enough for one-handed operations for both new roofs and reroofing. Also for attaching waterproof tar paper, metal drip edges, insulation board and with an optional attachment for vinyl and aluminum siding. Simply the best roofing nailer money can buy.



Applications

For asphalt and fiberglass shingle nailing, for both new roofs and reroofing. Also for attaching waterproof tar paper, metal drip edges, insulation board, and, with a special optional attachment, vinyl and aluminum siding.

Features and Benefits

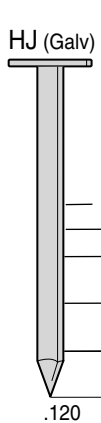
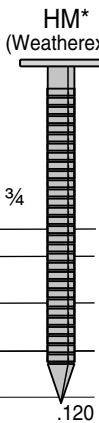
- Aluminum main housing and cap – more durable than magnesium for punishing roofing environments
- Weighs just 5.4 lbs. for easy one-handed operation
- Tool-free adjustable depth of drive for consistent and controllable nail set
- Comfort and convenience features include: durable molded comfort grip, 360 tool-free adjustable exhaust, and adjustable shingle guide
- Steel wearplates reduce shingle abrasion on tool
- Adjustable nail canister accommodates entire range of true round-head roofing nails
- Tool includes case, tool oil and wrench

Specifications

Item#.....	3D0101N
Sequential actuation trigger	
Reg. Operating Pressure.....	70-120 psi (4.8 - 8.3 bar)
Air Consumption (60 cycles per min.) ...	6.54 scfm
Air Inlet.....	1/4" NPT
Tool Weight	5.62 lbs (2.55 kg)
Height.....	10.88" (276 mm)
Length	10.25" (260 mm)
Width	4.5" (114 mm)
Fastener Capacity.....	120

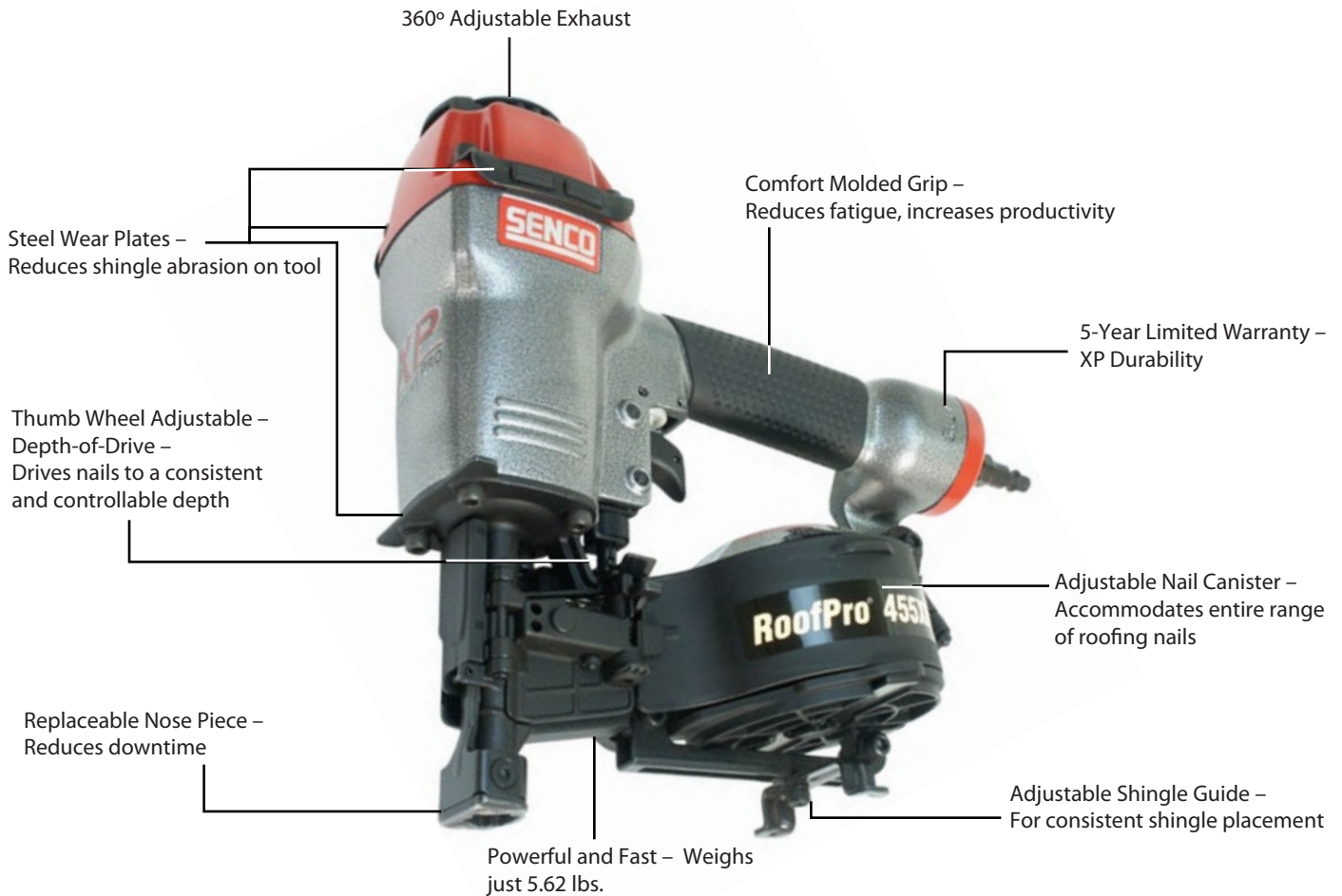
Fastener Specifications

Gauge.....	11
Shank Diameter.....	.120"
Fastener Range	3/4" – 1 3/4"
Finish.....	WeatherX 2 & Galvanized
Collation.....	Angular, flat wire wound coil

	HJ (Galv)	HM* (Weatherex II)	Length	Item Code	Carton Count	Finish
			3/4	M003101	7.2M	Galv
			7/8	M003102	7.2M	Galv
			1	M003103	7.2M	Galv
			1 1/4	M003104	7.2M	Galv
			1 1/2	M003105	7.2M	Galv
			1 3/4	M003106	7.2M	Galv
			7/8	HM12ADAP	7.2M	Weatherex II
			1 1/4	HM15ADAP	7.2M	Weatherex II
			1 1/2	HM17ADAP	7.2M	Weatherex II
			1 3/4	HM19ADAP	7.2M	Weatherex II

MIAMI-DADE COUNTY
Listed





RoofPro 455XP Accessories	Item #
Vinyl/Aluminum Siding attachment	21192900066
Parts Kit	YK0424, YK0425
Compressor	
1.5hp, 2.5 gal. 110v, hand carry	PC0968
2.5hp, 4.3 gal. 110v, hand carry	PC1131
1.5hp 8 gal. 110v/230v, wheelbarrow	PC2016
5.5hp, 8 gal. Honda gas, wheelbarrow	PC2017

Choose the right trigger system for your specific needs!

Sequential Actuation Trigger (also known as restrictive trigger or trigger fire) operates in the following a sequence - depress the safety element at the nose of tool against the work surface then pull the trigger. After each fastener is driven, release the trigger and lift the tool off the work surface before starting the sequence again. This trigger is recommended and acceptable for most applications.

Contact Actuation Trigger (also known as dual action, bounce or bottom fire) operates in the following sequence- pull the trigger first and keep the trigger pulled while moving the tool along the work surface with a bouncing motion, depressing the safety element at the nose of the tool against the work surface where the fastener is to be driven. This trigger is recommended for use by trained professionals only in high production or volume applications.



Tool includes case, tool oil and wrench.

Always read the Operators Manual and Safety Instructions with all tools to ensure proper use and safety precautions. For additional information on trigger systems and how Senco will save you time, reduce costs, and increase quality, call our toll-free Action Line: 800-543-4596 to find your nearest Authorized Senco Dealer, Distributor or visit our web site at: www.senco.com